



LOW PROFILE SERIES

MAIDA STYLE NUMBER S6678ZOV391RA590

MAIDA ITEM NUMBER 01-1381

VARISTOR SPEC SHEET

Electrical Specifications

| | | |
|------------------------------------|-------|------|
| Continuous AC Voltage | 390 | VAC |
| Continuous DC Voltage | 505 | VDC |
| Maximum DC Leakage @ 505 VDC | 200 | uA |
| Low Varistor Voltage Limit | 552 | VDC |
| High Varistor Voltage Limit | 674 | VDC |
| Nominal Varistor Voltage | 612 | VDC |
| Current for Varistor Voltage | 1 | mA |
| Maximum Clamp Voltage | 1025 | V |
| Maximum Clamp Voltage Test Current | 200 | A |
| Peak Current Rating (1 Pulse) | 15000 | A |
| Peak Current Rating (2 Pulse) | 12000 | A |
| Energy Rating (8X20us) | 770 | J |
| Energy Rating (10X1000us) | 770 | J |
| Typical Capacitance | 1470 | pF |
| Impulse Response Time | < 50 | ns |
| Minimum Hipot of Coating | 2500 | VDC |
| Minimum I.R. of Coating | 1000 | MΩ |
| Current/Energy Derating Above 85°C | -2.5 | %/°C |

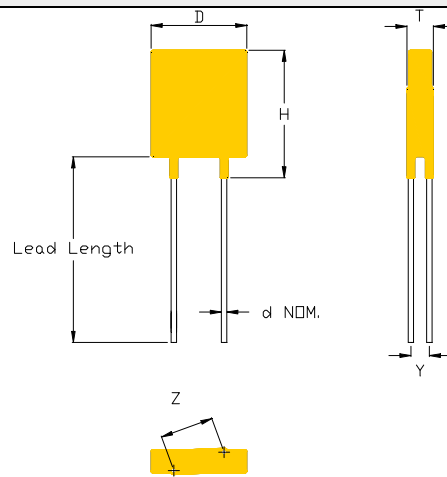
Thermal Specifications

| | | |
|------------------------------------|-------|------|
| Minimum Operating Temperature | -40 | °C |
| Maximum Operating Temperature | 85 | °C |
| Varistor Voltage Temperature Coeff | -0.05 | %/°C |
| Minimum Storage Temperature | -50 | °C |
| Maximum Storage Temperature | 125 | °C |
| Recommended Solder Temperature | 260 | °C |
| Recommended Reflow Temperature | 260 | °C |

Notes

Physical Specifications

| | |
|-----------------------|-----------|
| Lead Style | 059L1 |
| X Nominal | 0.394 in. |
| X Tolerance | 0.04 in. |
| Y Nominal | 0.204 in. |
| Y Tolerance | 0.03 in. |
| Z Nominal | 0.443 in. |
| Z Tolerance | 0.04 in. |
| Lead Length Nominal | 1.00 in. |
| Lead Length Tolerance | min. in. |
| d Nominal | 0.032 in. |
| Wire Gauge | 20 AWG |
| Minimum Marking | S66-391UL |
| Nominal Disk Size | 25 mm |
| D Maximum | 1.142 in. |
| T Maximum | 0.325 in. |
| H Maximum | 1.267 in. |
| Coating Type | EPOXY |



* Contact Maida for a more detailed configuration drawing.

Safety Agency Recognitions

| | |
|---------------------|---------|
| UL 1449 File Number | E321173 |
| - Tested to Type: | 2 |
| CSA File Number | LR33468 |
| VDE File Number | |
| SEV File Number | |



MAIDA DEVELOPMENT COMPANY

P.O. Box 3529

Hampton, Virginia 23663

www.maida.com

Ph: (757) 723-0785 Fax (757) 722-1194