



# LOW PROFILE SERIES

MAIDA STYLE NUMBER R69ZOV301RA175

MAIDA ITEM NUMBER 01-1313

**VARISTOR SPEC SHEET**

### Electrical Specifications

Continuous AC Voltage	300	VAC
Continuous DC Voltage	390	VDC
Maximum DC Leakage @ 390 VDC	200	uA
Low Varistor Voltage Limit	425	VDC
High Varistor Voltage Limit	518	VDC
Nominal Varistor Voltage	472	VDC
Current for Varistor Voltage	1	mA
Maximum Clamp Voltage	790	V
Maximum Clamp Voltage Test Current	50	A
Peak Current Rating (1 Pulse)	6000	A
Peak Current Rating (2 Pulse)	4500	A
Energy Rating (8X20us)	175	J
Energy Rating (10X1000us)	175	J
Typical Capacitance	330	pF
Impulse Response Time	< 50	ns
Minimum Hipot of Coating	2500	VDC
Minimum I.R. of Coating	1000	MΩ
Current/Energy Derating Above 85°C	-2.5	%/°C

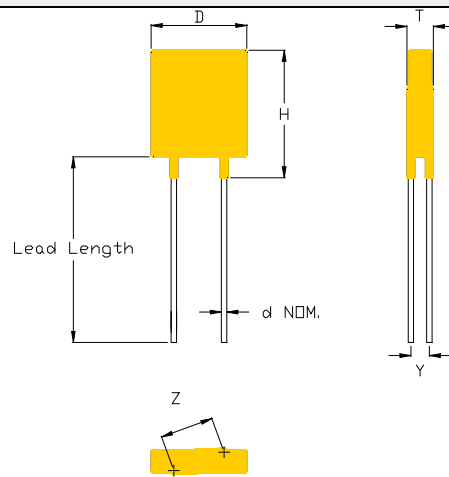
### Thermal Specifications

Minimum Operating Temperature	-40	°C
Maximum Operating Temperature	85	°C
Varistor Voltage Temperature Coeff	-0.05	%/°C
Minimum Storage Temperature	-50	°C
Maximum Storage Temperature	125	°C
Recommended Solder Temperature	260	°C
Recommended Reflow Temperature	260	°C

### Notes

### Physical Specifications

Lead Style	082J1
X Nominal	0.3 in.
X Tolerance	0.04 in.
Y Nominal	0.146 in.
Y Tolerance	0.03 in.
Z Nominal	0.333 in.
Z Tolerance	0.04 in.
Lead Length Nominal	1.00 in.
Lead Length Tolerance	min. in.
d Nominal	0.032 in.
Wire Gauge	20 AWG
Minimum Marking	R69-301
Nominal Disk Size	12 mm
D Maximum	0.566 in.
T Maximum	0.268 in.
H Maximum	0.691 in.
Coating Type	EPOXY



\* Contact Maida for a more detailed configuration drawing.

### Safety Agency Recognitions

UL 1449 File Number  
 - Tested to Type:  
 CSA File Number LR33468  
 VDE File Number  
 SEV File Number



MAIDA DEVELOPMENT COMPANY

P.O. Box 3529

Hampton, Virginia 23663

www.maida.com

Ph: (757) 723-0785 Fax (757) 722-1194